

GRUPOS AUTOMATICOS DE PRESION (AUTOCLAVES)



HYDROFRESH 05 VT



HYDROFRESH 24 SF



HYDROFRESH 24 CL



HYDROFRESH 60 CL

PRESTACIONES

MODELO	POTENCIA (P ₂)		CAUDAL (1) litros/min	AJUSTE (2) bar
	kW	HP		
HYDROFRESH 05VT				
PKm 60 - 05 VT	0.37	0.50	32	1.4 - 2.8
JCRm 1B - 05 VT	0.48	0.65	60	1.4 - 2.8
JSWm 1BX - 05 VT	0.48	0.65	50	1.4 - 2.8
JSWm 1AX - 05 VT	0.55	0.75	55	1.8 - 3.2
HYDROFRESH 24 SF				
PKm 60 - 24 SF	0.37	0.50	32	1.4 - 2.8
PKm 65 - 24 SF	0.50	0.70	40	1.5 - 3.0
JCRm 1B - 24 SF	0.48	0.65	50	1.4 - 2.8
JCRm 1A - 24 SF	0.55	0.75	55	1.8 - 3.2
JSWm 1CX - 24 SF	0.37	0.50	50	1.2 - 2.6
JSWm 1BX - 24 SF	0.48	0.65	50	1.4 - 2.8
JSWm 1AX - 24 SF	0.55	0.75	55	1.8 - 3.2
JSWm 2CX - 24 SF	0.75	1	70	2.0 - 3.5
JSWm 2BX - 24 SF	0.90	1.25	70	2.4 - 3.8
JSWm 2AX - 24 SF	1.1	1.5	70	2.8 - 4.0
PLURIJETm 3/60X - 24 SF	0.37	0.50	60	1.0 - 2.8
PLURIJETm 3/80X - 24 SF	0.48	0.65	60	1.5 - 3.2
PLURIJETm 4/80X - 24 SF	0.55	0.75	60	2.0 - 4.2
PLURIJETm 3/100X - 24 SF	0.55	0.75	100	1.2 - 3.2
PLURIJETm 4/100X - 24 SF	0.75	1	100	2.2 - 4.4
HYDROFRESH 24 CL				
PKm 60 - 24 CL	0.37	0.50	32	1.4 - 2.8
PKm 65 - 24 CL	0.50	0.70	40	1.5 - 3.0
CPm 158 - 24 CL	0.75	1	90	1.8 - 3.2
CPm 170 - 24 CL	1.1	1.5	120	2.2 - 3.5
JCRm 1B - 24 CL	0.48	0.65	50	1.4 - 2.8
JCRm 1A - 24 CL	0.55	0.75	55	1.8 - 3.2
JCRm 2C - 24 CL	0.75	1	70	1.9 - 3.4
JCRm 2A - 24 CL	1.1	1.5	70	2.7 - 4.0
JSWm 1BX - 24 CL	0.48	0.65	50	1.4 - 2.8
JSWm 1AX - 24 CL	0.55	0.75	55	1.8 - 3.2
JSWm 2CX - 24 CL	0.75	1	70	2.0 - 3.5
JSWm 2BX - 24 CL	0.90	1.25	70	2.4 - 3.8
JSWm 2AX - 24 CL	1.1	1.5	70	2.8 - 4.0
PLURIJETm 3/80X - 24 CL	0.48	0.65	60	1.5 - 3.2
PLURIJETm 4/80X - 24 CL	0.55	0.75	60	2.0 - 4.2
PLURIJETm 3/100X - 24 CL	0.55	0.75	100	1.2 - 3.2
PLURIJETm 4/100X - 24 CL	0.75	1	100	2.2 - 4.4
HYDROFRESH 60 CL				
JSWm 2CX - 60 CL	0.75	1	70	2.0 - 3.5
JSWm 2BX - 60 CL	0.90	1.25	70	2.4 - 3.8
JSWm 2AX - 60 CL	1.1	1.5	70	2.8 - 4.0
PLURIJETm 4/80X - 60 CL	0.55	0.75	60	2.0 - 4.2
PLURIJETm 3/100X - 60 CL	0.55	0.75	100	1.2 - 3.2
PLURIJETm 4/100X - 60 CL	0.75	1	100	2.2 - 4.4

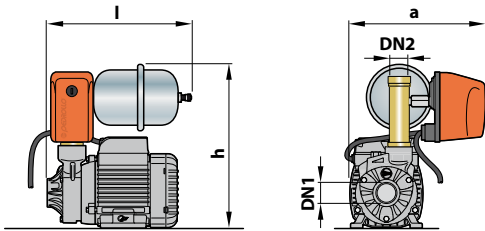
COMPONENTES:

- Electrobomba monofásica
- Tanque
- Presóstato PSG-1
- Manómetro (para 24SF, 24CL y 60CL)
- Tubo flexible (para 24CL y 60CL)
- Conexión en latón
- Cable de alimentación de 1.5 metros con conector Schuko

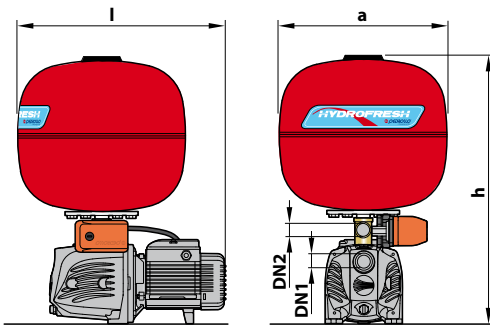
(1) Caudal máximo relativo a la presión mínima recomendada por el presóstato

(2) Ajuste del presóstato (recomendado)

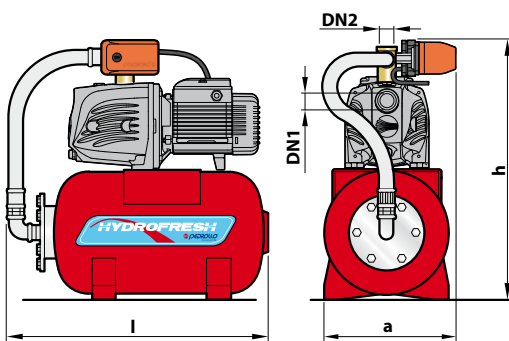
DIMENSIONES Y PESOS



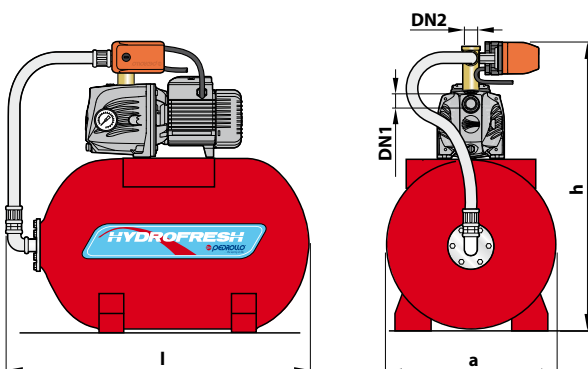
MODELO	BOCAS		DIMENSIONES mm			PESO kg
	DN1	DN2	l	a	h	
PKm 60 - 05 VT	1"	1"	212	210	240	6.8
JSWm1 CX - 05 VT	1"	1"	357	210	270	11.4
JSWm1 BX - 05 VT	1"	1"	357	210	270	11.5
JSWm1 AX - 05 VT	1"	1"	357	210	270	12.1



MODELO	BOCAS		DIMENSIONES mm			PESO kg
	DN1	DN2	l	a	h	
PKm 60 - 24 SF	1"	1"	350	350	560	13.7
PKm 65 - 24 SF	1"	1"	370	350	570	14.5
JCRm 1B - 24 SF	1"	1"	390	350	613	14.6
JCRm 1A - 24 SF	1"	1"	390	350	613	15.3
JSWm 1CX - 24 SF	1"	1"	394	350	590	17.0
JSWm 1BX - 24 SF	1"	1"	394	350	590	17.4
JSWm 1AX - 24 SF	1"	1"	394	350	590	18.2
JSWm 2CX - 24 SF	1"	1"	430	350	610	20.4
JSWm 2BX - 24 SF	1"	1"	430	350	610	21.5
JSWm 2AX - 24 SF	1"	1"	430	350	610	22.0
PLURIJETm 3/60X - 24 SF	1"	1"	390	350	613	14.2
PLURIJETm 3/80X - 24 SF	1"	1"	390	350	613	15.0
PLURIJETm 4/80X - 24 SF	1"	1"	390	350	613	16.0
PLURIJETm 3/100X - 24 SF	1"	1"	390	350	613	15.6
PLURIJETm 4/100X - 24 SF	1"	1"	390	350	613	18.3



MODELO	BOCAS		DIMENSIONES mm			PESO kg
	DN1	DN2	l	a	h	
PKm 60 - 24 CL	1"	1"	535	255	500	13.7
PKm 65 - 24 CL	1"	1"	535	255	510	15.3
CPm 158 - 24 CL	1"	1"	535	255	600	21.3
CPm 170 - 24 CL	1¼"	1"	535	255	620	27.8
JCRm 1B - 24 CL	1"	1"	535	255	560	15.2
JCRm 1A - 24 CL	1"	1"	535	255	560	16.0
JCRm 2C - 24 CL	1"	1"	535	255	570	18.4
JCRm 2A - 24 CL	1"	1"	535	255	570	19.8
JSWm 1BX - 24 CL	1"	1"	535	255	520	18.0
JSWm 1AX - 24 CL	1"	1"	535	255	520	18.6
JSWm 2CX - 24 CL	1"	1"	535	255	530	20.9
JSWm 2BX - 24 CL	1"	1"	535	255	530	21.6
JSWm 2AX - 24 CL	1"	1"	535	255	530	21.9
PLURIJETm 3/80X - 24 CL	1"	1"	535	255	560	15.7
PLURIJETm 4/80X - 24 CL	1"	1"	535	255	560	16.7
PLURIJETm 3/100X - 24 CL	1"	1"	535	255	560	16.3
PLURIJETm 4/100X - 24 CL	1"	1"	535	255	560	19.0



MODELO	BOCAS		DIMENSIONES mm			PESO kg
	DN1	DN2	l	a	h	
JSWm 2CX - 60 CL	1"	1"	730	340	675	28.1
JSWm 2BX - 60 CL	1"	1"	730	340	675	28.7
JSWm 2AX - 60 CL	1"	1"	730	340	675	29.3
PLURIJETm 4/80X - 60 CL	1"	1"	730	340	678	22.9
PLURIJETm 3/100X - 60 CL	1"	1"	730	340	678	22.5
PLURIJETm 4/100X - 60 CL	1"	1"	730	340	678	25.2