

Submersible pumps in stainless steel

-  Sewage water
-  Domestic use
-  Civil use
-  Industrial use



PERFORMANCE RANGE

- Flow rate up to **750 l/min** (45 m³/h)
- Head up to **15 m**

APPLICATION LIMITS

- **5 m** maximum immersion depth
- Maximum liquid temperature **+40 °C**
- Passage of suspended solids up to **Ø 50 mm**
- Minimum immersion depth for continuous service: **300 mm**

CONSTRUCTION AND SAFETY STANDARDS

- **10 m** long power cable
- Float switch for single-phase versions

EN 60335-1
IEC 60335-1
CEI 61-150

EN 60034-1
IEC 60034-1
CEI 2-3



CERTIFICATIONS

Company with management system certified DNV
ISO 9001: QUALITY

INSTALLATION AND USE

BC-MF submersible pumps are recommended for draining **dirty and sewage water** in domestic, civil and industrial applications. They come equipped with a **DOUBLE-CHANNEL** impeller and are capable of pumping liquids containing short fibred suspended solids up to Ø 50 mm. They are ideal for pumping sewage, waste water, surface water and water mixed with mud in locations such as blocks of flats and detached house.

These pumps distinguish themselves for their reliability, which can be best appreciated under automatic operating conditions in fixed installations.

PATENTS - TRADE MARKS - MODELS

- Patent n. EP2313658
- Patent n. IT0001428923

OPTIONS AVAILABLE ON REQUEST

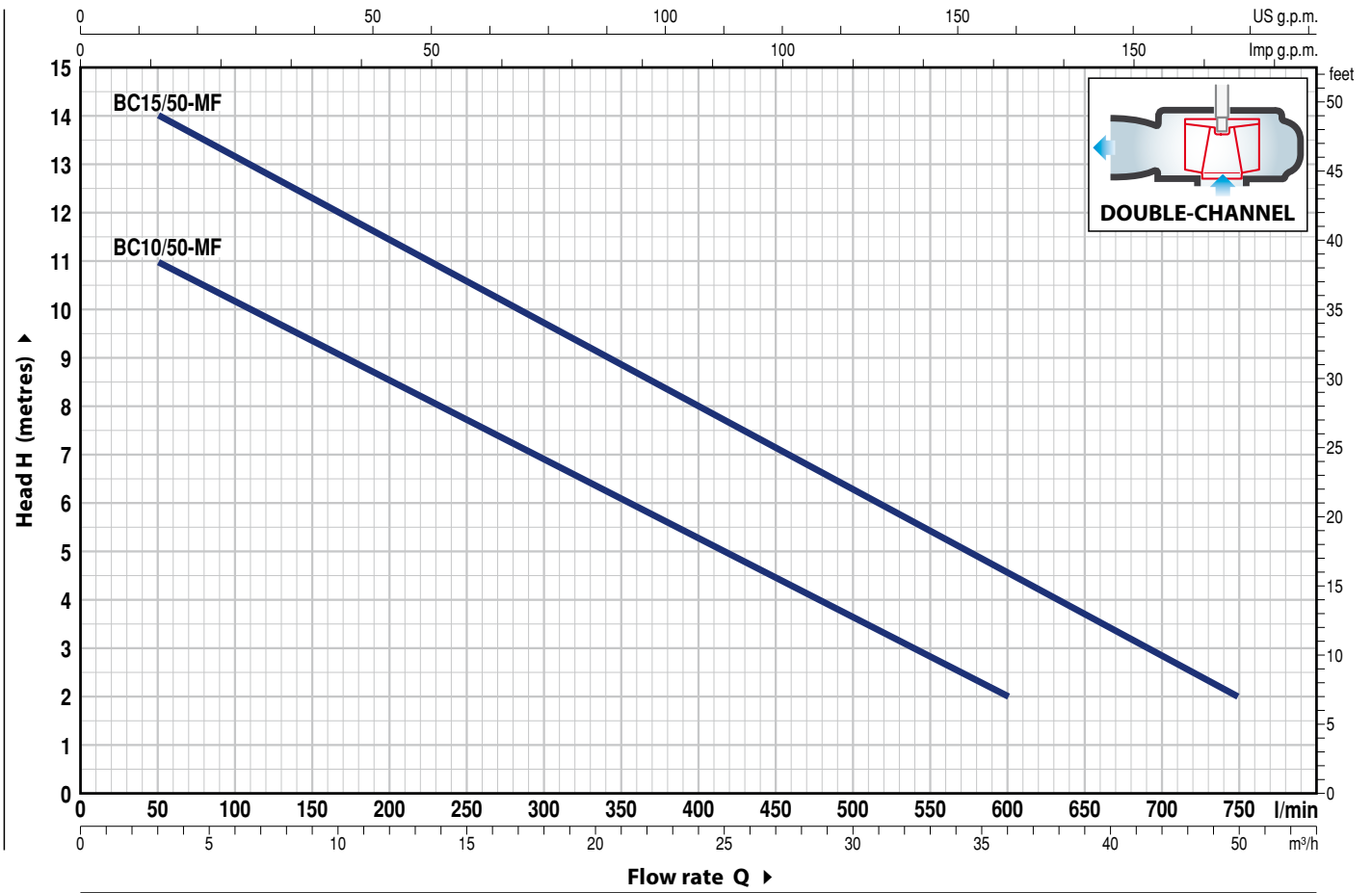
- Single-phase pumps without float switch
- Other voltages

GUARANTEE

2 years subject to terms and conditions

CHARACTERISTIC CURVES AND PERFORMANCE DATA

60 Hz n= 3450 min⁻¹



MODEL		POWER (P ₂)		Q	Flow rate													
Single-phase	Three-phase	kW	HP		m ³ /h	0	3	6	12	18	24	30	36	42	45			
				l/min	0	50	100	200	300	400	500	600	700	750				
BCm 10/50-MF	BC 10/50-MF	0.75	1	H metres	12	11	10	8.5	7	5	3.5	2						
BCm 15/50-MF	BC 15/50-MF	1.1	1.5		15	14	13	11.5	9.7	8	6.3	4.5	3	2				

Q = Flow rate H = Total manometric head

Tolerance of characteristic curves in compliance with EN ISO 9906 Grade 3B.

POS. COMPONENT CONSTRUCTION CHARACTERISTICS

1 PUMP BODY	Precision cast stainless steel AISI 316L with threaded port in compliance with ISO 228/1				
2 BASE	Stainless steel AISI 304				
3 IMPELLER	Precision cast stainless steel AISI 304 DOUBLE-CHANNEL type				
4 MOTOR CASING	Stainless steel AISI 304				
5 MOTOR CASING PLATE	Stainless steel AISI 304				
6 MOTOR SHAFT	Stainless steel AISI 316L				
7 SHAFT WITH DOUBLE MECHANICAL SEAL SEPARATED BY AN OIL CHAMBER					
<i>Seal</i>	<i>Shaft</i>	<i>Position</i>	<i>Stationary ring</i>	<i>Materials</i>	<i>Elastomer</i>
<i>Model</i>	<i>Diameter</i>			<i>Rotational ring</i>	
MG1-14D SIC	Ø 14 mm	Motor side Pump side	Silicon carbide Silicon carbide	Graphite Silicon carbide	NBR NBR
8 BEARINGS	6203 ZZ / 6203 ZZ				

9 CAPACITOR		
<i>Pump</i>	<i>Capacitance</i>	
<i>Single-phase</i>	<i>(220 V)</i>	<i>(110 V or 127 V)</i>
BCm 10/50-MF	20 µF - 450 VL	30 µF - 250 VL
BCm 15/50-MF	25 µF - 450 VL	–

10 ELECTRIC MOTOR

BCm: single-phase 220 V - 60 Hz
with thermal overload protector incorporated into the winding

BC: three-phase 380 V - 60 Hz

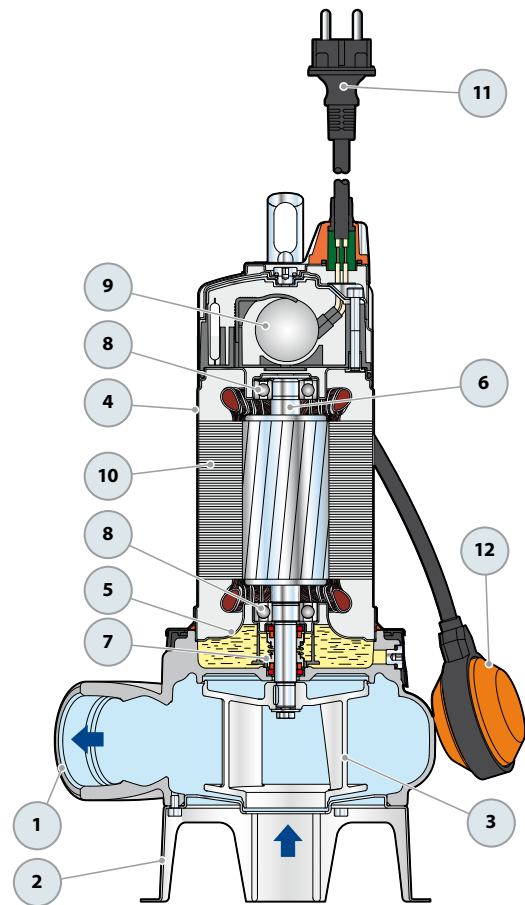
- Insulation: class F
- Protection: IP X8

11 POWER CABLE

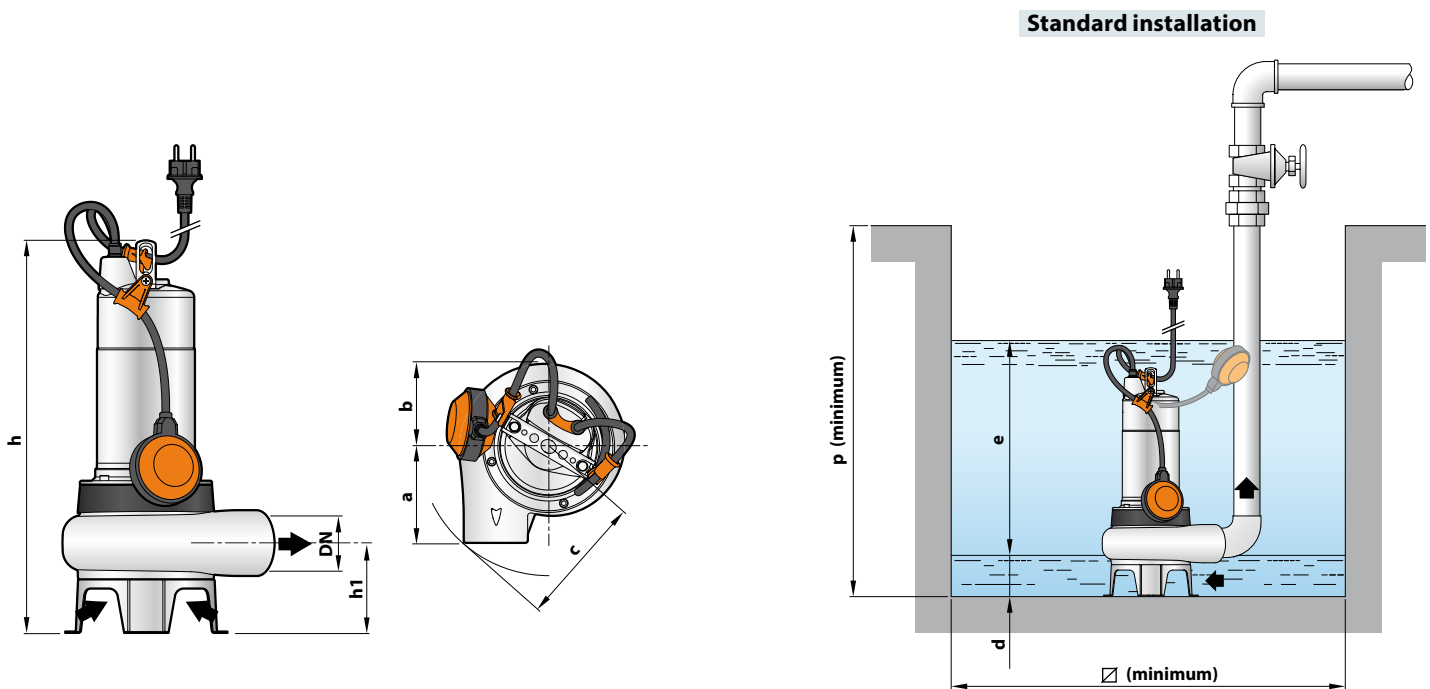
“H07 RN-F” type
(with Schuko plug for single-phase versions only)

Standard length 10 metres

12 FLOAT SWITCH
(only for single-phase versions)



DIMENSIONS AND WEIGHT



MODEL		PORT DN	Passage of solids	DIMENSIONS mm									kg	
Single-phase	Three-phase			a	b	c	h	h1	d	e	p	Ø	1~	3~
BCm 10/50-MF	BC 10/50-MF	2"	Ø 50 mm	112	97	150	432	102	60	variable	500	500	14.5	13.5
BCm 15/50-MF	BC 15/50-MF						447							

ABSORPTION

MODEL	VOLTAGE		
	220 V	110 V	127 V
BCm 10/50-MF	5.6 A	11.2 A	9.7 A
BCm 15/50-MF	8.8 A	17.6 A	15.2 A

MODEL	VOLTAGE		
	220 V	380 V	440 V
BC 10/50-MF	4.2 A	2.4 A	2.1 A
BC 15/50-MF	6.6 A	3.8 A	3.3 A

PALLETIZATION

MODEL		GROUPAGE n. pumps	CONTAINER n. pumps
Single-phase	Three-phase		
BCm 10/50-MF	BC 10/50-MF	54	72
BCm 15/50-MF	BC 15/50-MF	54	72

SEWAGE LIFTING SYSTEM VX-MF – BC-MF



A) HORIZONTAL DELIVERY VERSION WITH 3/4" GUIDE TUBES

For VX /35-MF	Cod. ASSPVX35ST	DN 2"
For VX /50-MF , BC /50-MF	Cod. ASSPVX50ST	DN 2"

Kit consisting of:

- footing connection
- slide guide with ring nut and seal
- support for the guide tubes

B) VERTICAL DELIVERY VERSION WITH 3/4" GUIDE TUBES

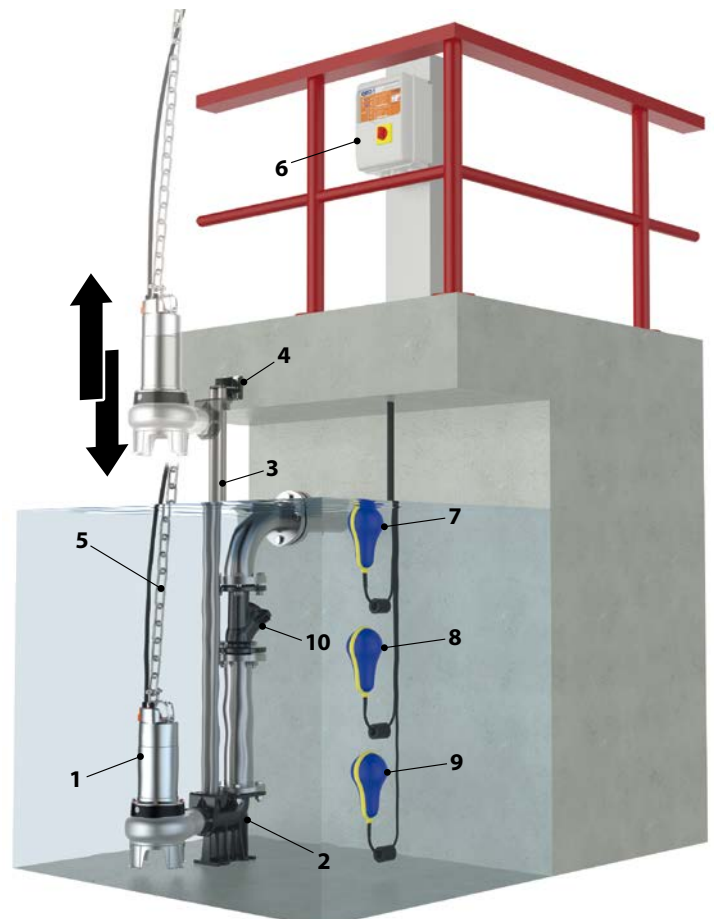
For VX /35-MF	Cod. ASSPVX35STV	DN 2½"
For VX /50-MF, BC /50-MF	Cod. ASSPVX50STV	DN 2½"

Kit consisting of:

- footing connection complete with counterflange
- slide guide with ring nut and seal
- support for the guide tubes

STANDARD INSTALLATION

1. Pump
2. Footing connection
3. Guide tubes
4. Support for the guide tubes
5. Lifting chain
6. Control box
7. Alarm float switch
8. Starting float switch
9. Stop float switch
10. Non-return valve



SLIDE GUIDE (Also to be ordered separately)

For VX /35-MF	Cod. ASSFL005
For VX /50-MF , BC /50-MF	Cod. ASSFL005

Complete with ring nut and seal

● INTERMEDIATE SUPPORT (To be ordered separately)

Cod. 859SV340INTFA	For guide tubes Ø ¾"
--------------------	----------------------



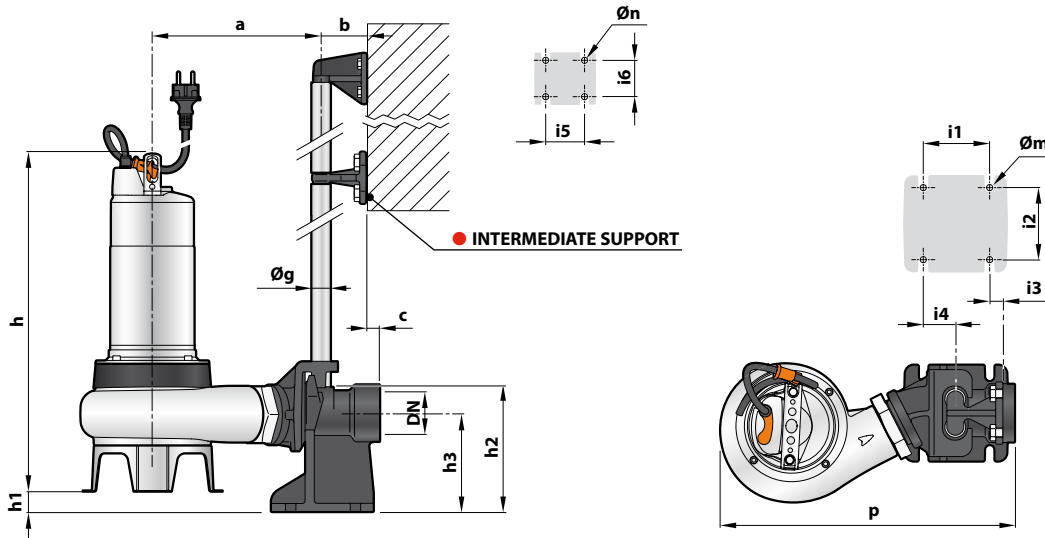
In order to ensure stability, insert the intermediate support every 2 metres

GUIDE TUBES (AISI 304 stainless steel)

Cod. 54SARTG005	Ø ¾"
-----------------	------

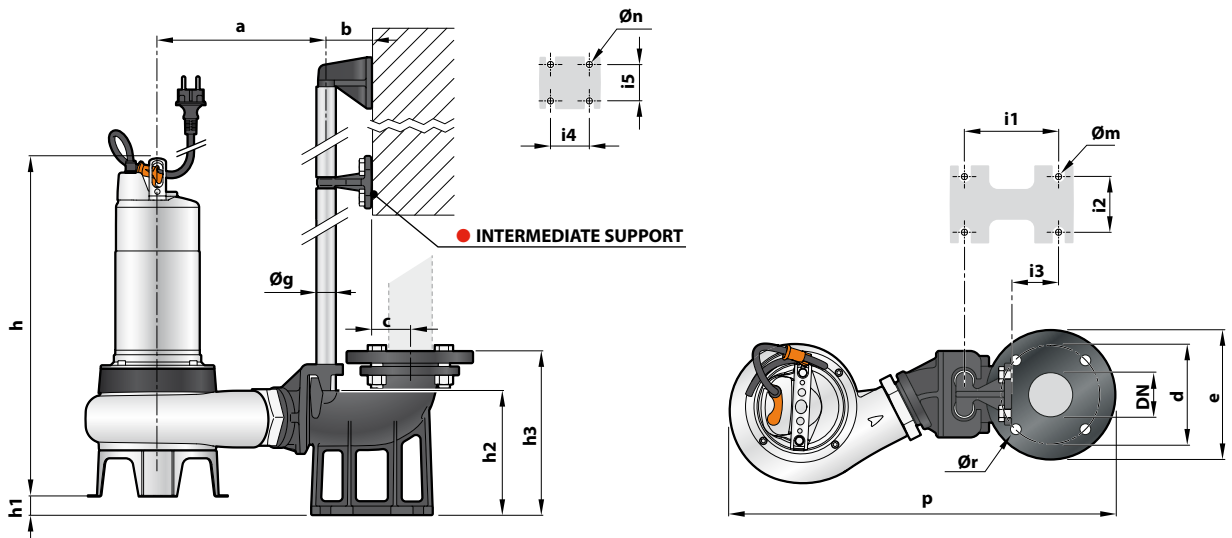
Maximum length of the tube plank: 6 metres

DIMENSIONS (Horizontal delivery version)



MODEL		Passage of solids mm	PORT DN	DIMENSIONS mm																		
Single-phase	Three-phase			a	b	c	p	h	h1	h2	h3	i1	i2	i3	i4	i5	i6	Øg	Øm	Øn		
VXm 8/35 -MF	VX 8/35 -MF	40	2"	217	61	17	387	406	45	165	130	85	94	16	40	50	48	¾"	12	11		
VXm 10/35 -MF	VX 10/35 -MF							421														
VXm 15/35 -MF	VX 15/35 -MF							434														
VXm 8/50 -MF	VX 8/50 -MF	50	2"				390	445	29												430	445
VXm 10/50 -MF	VX 10/50 -MF																					
VXm 15/50 -MF	VX 15/50 -MF																					
BCm 10/50 -MF	BC 10/50 -MF	50	2"	390	61	17	390	430	29	165	130	85	94	16	40	50	48	¾"	12	11		
BCm 15/50 -MF	BC 15/50 -MF							445														

DIMENSIONS (Vertical delivery version)



MODEL		Passage of solids mm	PORT DN	DIMENSIONS mm																																	
Single-phase	Three-phase			a	b	c	d	e	p	h	h1	h2	h3	i1	i2	i3	i4	i5	Øg	Øm	Øn	Ør															
VXm 8/35 -MF	VX 8/35 -MF	40	2½"	217	61	52	125	165	504	406	42	164	215	120	72	62	50	48	¾"	14	11	18															
VXm 10/35 -MF	VX 10/35 -MF									421																											
VXm 15/35 -MF	VX 15/35 -MF									430																											
VXm 8/50 -MF	VX 8/50 -MF	50	2½"						507	445	26												430	445	507	26	164	215	120	72	62	50	48	¾"	14	11	18
VXm 10/50 -MF	VX 10/50 -MF																																				
VXm 15/50 -MF	VX 15/50 -MF																																				
BCm 10/50 -MF	BC 10/50 -MF	50	2½"	507	61	52	125	165	507	430	26	164	215	120	72	62	50	48	¾"	14	11	18															
BCm 15/50 -MF	BC 15/50 -MF									445																											