

3-6CR 90X-130X-200X

Multi-stage centrifugal pumps

 Clean water

 Domestic use

 Civil use



PERFORMANCE RANGE

- Flow rate up to **200 l/min** (12 m³/h)
- Head up to **97 m**

APPLICATION LIMITS

- Manometric suction lift up to **7 m**
- Liquid temperature between **-10 °C** and **+40 °C**
- Ambient temperature up to **+40 °C**
- Max. working pressure **10 bar**
- Continuous service **S1**

CONSTRUCTION AND SAFETY STANDARDS

EN 60335-1
IEC 60335-1
CEI 61-150

EN 60034-1
IEC 60034-1
CEI 2-3



CERTIFICATIONS

Company with management system certified DNV
ISO 9001: QUALITY

INSTALLATION AND USE

Suitable for use with clean water and with liquids that are not chemically aggressive towards the materials from which the pump is made. As a result of their quietness these pumps are widely used in domestic applications such as the distribution of water in combination with small and medium sized pressure tanks, and for the irrigation of gardens and orchards, etc.

The pump should be installed in an enclosed environment or sheltered from inclement weather.

PATENTS - TRADE MARKS - MODELS

- Patent n. EP14755156.8

OPTIONS AVAILABLE ON REQUEST

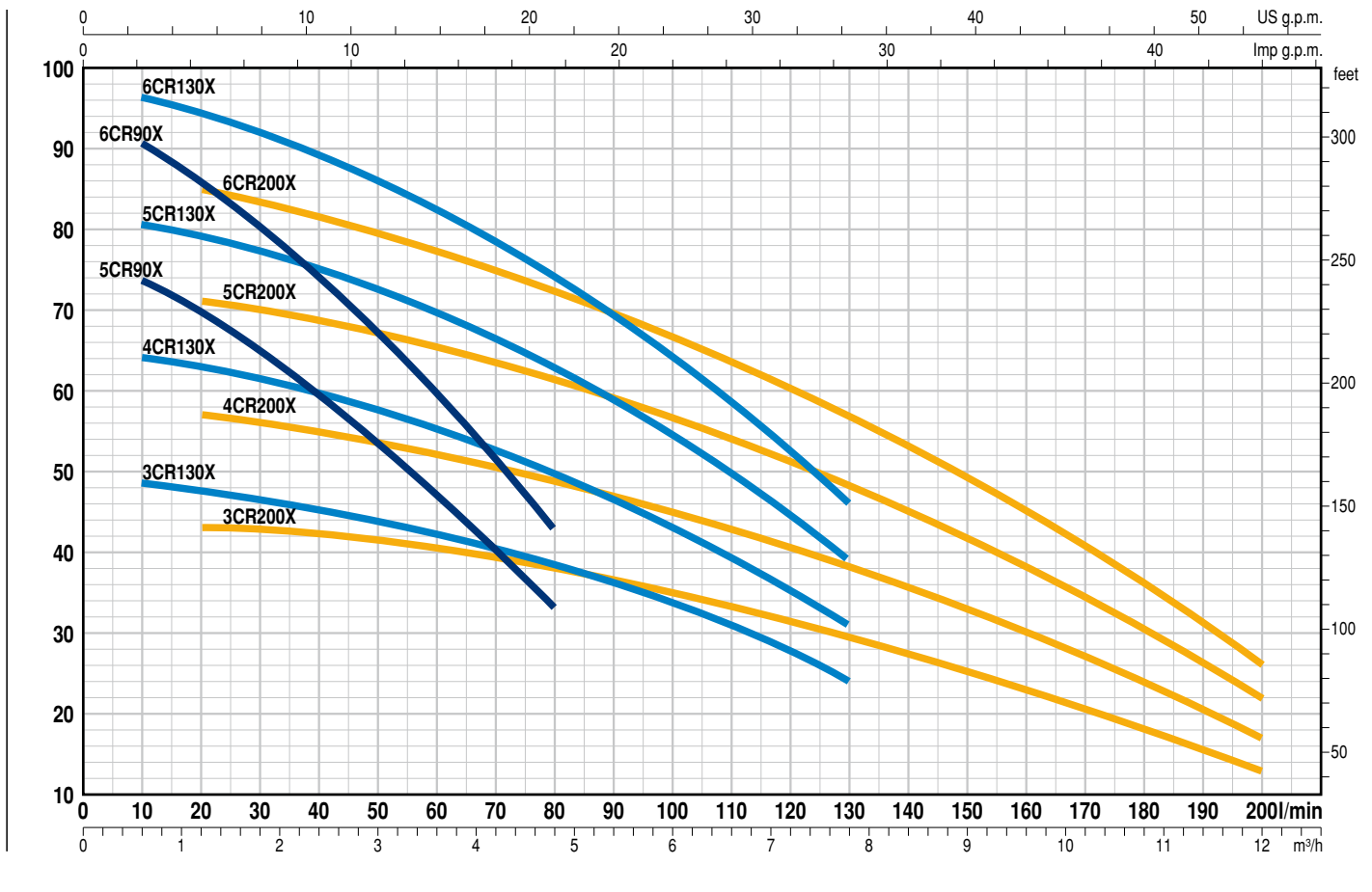
- Special mechanical seal
- Other voltages
- IPX5 class protection

GUARANTEE

2 years subject to terms and conditions

CHARACTERISTIC CURVES AND PERFORMANCE DATA

60 Hz n= 3450 min⁻¹ HS= 0 m



MODEL		POWER (P ₂)		▲	Q	H metres														
Single-phase	Three-phase	kW	HP			0	0.3	0.6	1.2	2.4	3.6	4.8	6.0	7.8	8.4	9.6	10.8	12.0		
					l/min	0	5	10	20	40	60	80	100	130	140	160	180	200		
5CRm 90X	5CR 90X	1.1	1.5	IE3	H metres	76	76	73.5	70	60.5	47	33								
6CRm 90X	6CR 90X	1.5	2			93	93	90.5	86	74.5	59.5	43								
3CRm 130X	3CR 130X	1.1	1.5			49	49	48.5	47.5	45	42.5	38.5	33.5	24						
4CRm 130X	4CR 130X	1.5	2			65	65	64	63	60	56	50	43	31						
-	5CR 130X	1.8	2.5			81	81	80.5	79	75	70	62.5	54	39						
-	6CR 130X	2.2	3			97	97	96.5	94.5	90	83	74.5	64	46						
3CRm 200X	3CR 200X	1.1	1.5			44	43.5	43.5	43	42	40.5	38	35	29	27.5	23	18	13		
4CRm 200X	4CR 200X	1.5	2			58	57.5	57.5	57	55	52.5	49.5	45	38	35.5	30	24	17		
-	5CR 200X	1.8	2.5			73	72	71.5	71	69	65.5	62	56.5	48	44.5	38	30	22		
-	6CR 200X	2.2	3			87	86	85.5	85	82	78	73	67	57	53	45	36	26		

Q = Flow rate H = Total manometric head HS = Suction height

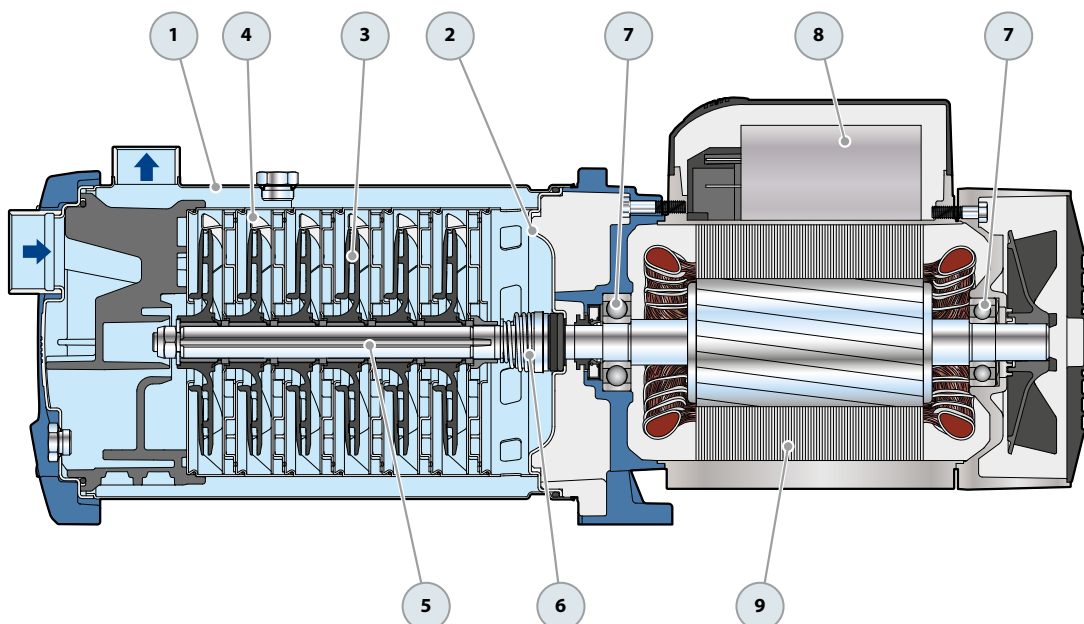
Tolerance of characteristic curves in compliance with EN ISO 9906 Grade 3B.

▲ Performance class of the three-phase motor (IEC 60034-30-1)

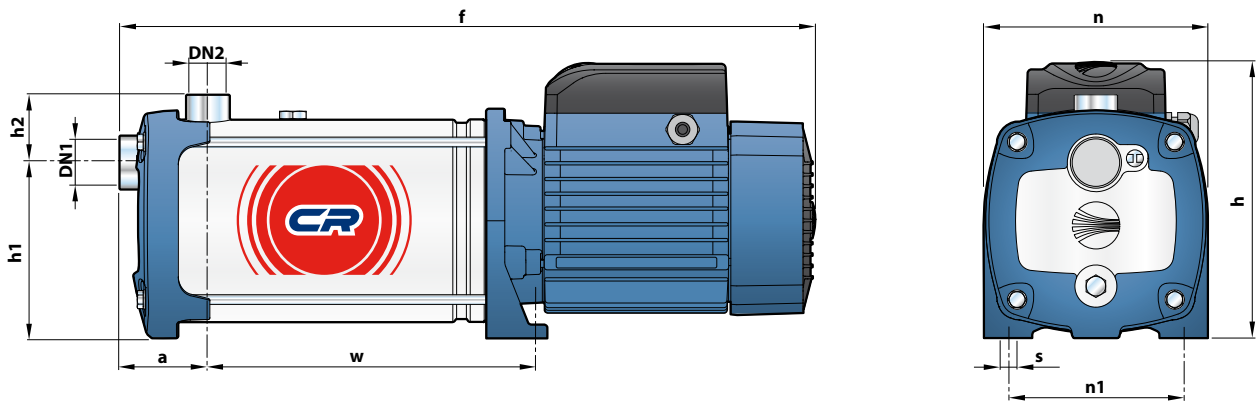
3-6CR 90X-130X-200X

POS. COMPONENT CONSTRUCTION CHARACTERISTICS

1	PUMP BODY	Stainless steel AISI 304 complete with threaded ports in compliance with ISO 228/1				
2	BODY BACKPLATE	Stainless steel AISI 304				
3	IMPELLERS	Noryl FE1520PW				
4	DIFFUSERS	Stainless steel AISI 304				
5	MOTOR SHAFT	Stainless steel EN 10088-3 - 1.4104				
6	MECHANICAL SEAL	<i>Seal</i>	<i>Shaft</i>	<i>Materials</i>		
		<i>Model</i>	<i>Diameter</i>	<i>Stationary ring</i>	<i>Rotational ring</i>	<i>Elastomer</i>
		FN-18	Ø 18 mm	Graphite	Ceramic	NBR
7	BEARINGS	6304 2RS - C3 / 6204 ZZ - C3E				
8	CAPACITOR	<i>Pump</i>	<i>Capacitance</i>			
		<i>Single-phase</i>	<i>(220 V)</i>			
		5CRm90X	31.5 µF - 450 VL			
		3CRm130X				
		3CRm200X				
6CRm90X	45 µF - 450 VL					
4CRm130X						
4CRm200X						
9	ELECTRIC MOTOR	3-6CRm: single-phase 220 V - 60 Hz with thermal overload protector incorporated into the winding. 3-6CR: three-phase 220/380 V - 60 Hz or 220/440 V - 60 Hz. → The three-phase pumps are fitted with high performance motors in class IE3 (IEC 60034-30-1) – Insulation: class F – Protection: IP X4				



DIMENSIONS AND WEIGHT



MODEL		PORTS		DIMENSIONS mm									kg	
Single-phase	Three-phase	DN1	DN2	a	f	h	h1	h2	n	n1	w	s	1~	3~
5CRm 90X	5CR 90X	1 1/4"	1"	73	549	228	145	56	185	145	245	11	19.6	19.6
6CRm 90X	6CR 90X				575						271		21.8	21.8
3CRm 130X	3CR 130X				497						193		18.0	18.0
4CRm 130X	4CR 130X				523						219		20.0	20.0
-	5CR 130X				569						245		-	23.3
-	6CR 130X				595						271		-	24.0
3CRm 200X	3CR 200X				497						193		18.0	18.0
4CRm 200X	4CR 200X				523						219		20.0	20.0
-	5CR 200X				569						245		-	23.3
-	6CR 200X				595						271		-	24.0

ABSORPTION

MODEL	VOLTAGE
Single-phase	220 V
5CRm 90X	9.3 A
6CRm 90X	11.0 A
3CRm 130X	9.3 A
4CRm 130X	11.0 A
3CRm 200X	9.3 A
4CRm 200X	11.0 A

MODEL	VOLTAGE			
	220 V	380 V	220 V	440 V
Three-phase				
5CR 90X	7.0 A	4.0 A	5.5 A	3.2 A
6CR 90X	7.5 A	4.3 A	6.6 A	3.8 A
3CR 130X	7.0 A	4.0 A	5.5 A	3.2 A
4CR 130X	8.5 A	4.9 A	6.9 A	4.0 A
5CR 130X	11.1 A	6.4 A	8.0 A	4.5 A
6CR 130X	12.6 A	7.3 A	9.6 A	5.6 A
3CR 200X	7.0 A	4.0 A	5.5 A	3.2 A
4CR 200X	8.5 A	4.9 A	6.9 A	4.0 A
5CR 200X	11.1 A	6.4 A	8.0 A	4.5 A
6CR 200X	12.6 A	7.3 A	9.6 A	5.6 A